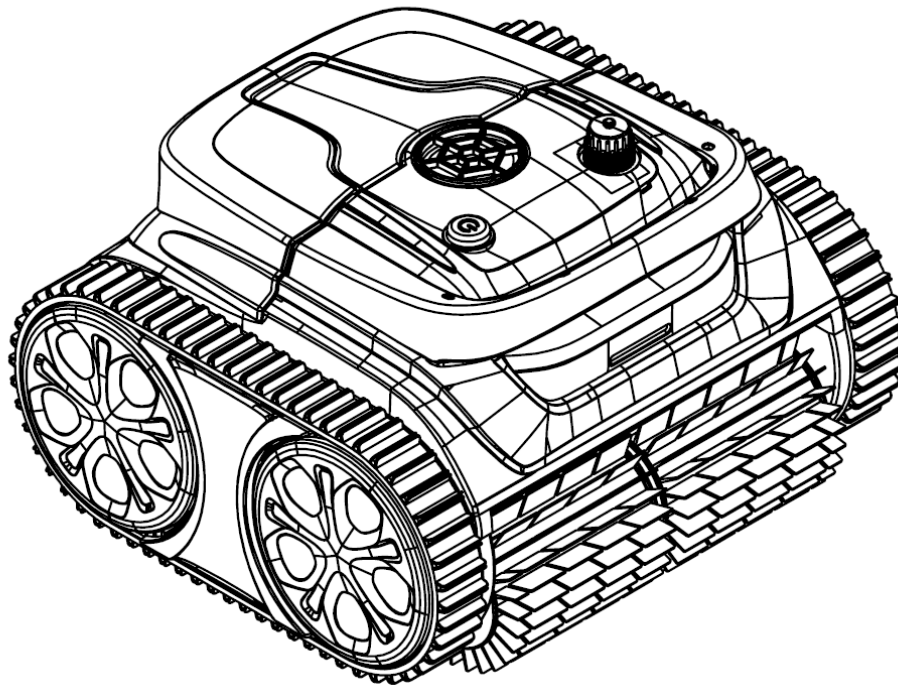


Latitude Plus

**In- Ground- Wall Climbing CORDLESS
ROBOTIC POOL CLEANER
Instruction Manual**



INOPOOL

Thank you for purchasing the Latitude Plus Robotic Pool Cleaner. Please read through the entire manual before using your new robotic pool cleaner. We are not held liable for any loss or injury caused by improper use. If you encounter a problem with your Latitude Plus cleaner, please contact our customer service for assistance.

Customer Service: www.inopool-us.com

Table of Contents

I.	Important Precautions	Page 3
II.	Using the Cleaner	Page 4
III.	Introduction/ Packing List	Page 5
IV.	Specifications	Page 6
IV.1	Operations	Page 7
IV.2	Charging the Cleaner	Page 8
IV.2.2	Charger Indicator	Page 8
IV.3	Cleaning the Filter Basket	Page 8/9
V.	SMART APP Connection	Page 10/11
VI.	Installation- Floating Blocks (<i>optional</i>)	Page 11
VII.	WARRANTY	Page 12-15

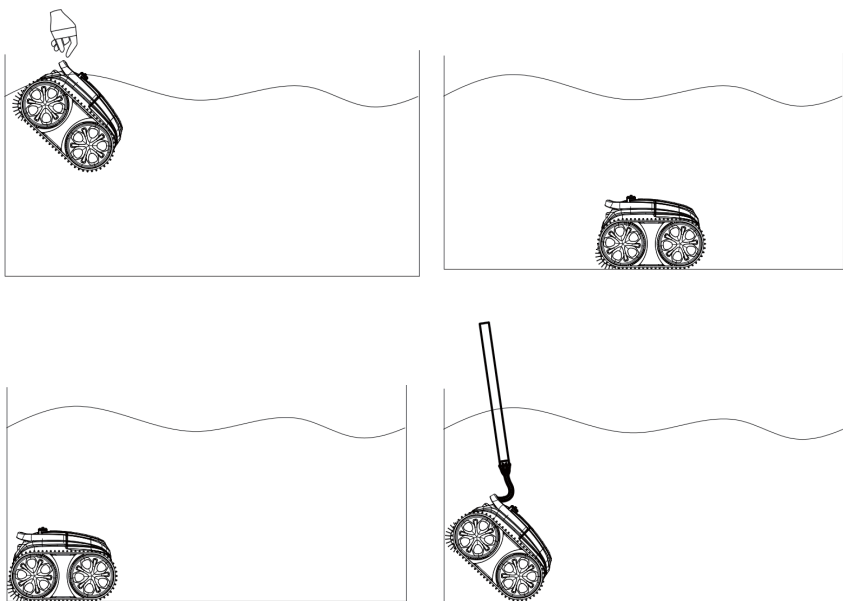


Important Precautions Read and Follow All Instructions

1. Please read the manual carefully and use the cleaner according to the manual. We are not held liable for any loss or injury caused by improper use.
2. Use the accessories recommended or sold by the manufacturer only.
3. Dry the charging port after removing the cleaner from the water and make sure the cleaner is turned off (the indicator light is off) when you want to charge the cleaner.
4. Use the original and authorized power charger only, do not charge any other devices with this charger.
5. The charger must be connected to a GFCI- protected electrical outlet when charging.
6. Do not charge the cleaner if the temperature is above 35°C (95 °F) or below 5°C (41 °F)
7. Charge the cleaner when a yellow light appears on the cleaner. Do not charge the cleaner when the light on the cleaner is green.
8. The cleaner should be charged every 3 months during storage.
9. To reduce the risk of electrical shock, do not use the charger if the cord is damaged.
10. Never allow children to ride on or play with the cleaner.
11. Do not turn the cleaner on when it is out of the water.
12. Do not operate the cleaner when there are people in the pool.
13. Always clean and wash the filter basket(s) after each use.
14. Only professionals can disassemble the sealed driving kit of the cleaner.
15. Turn all pool returns upward while pool filter is running.
16. The cleaner may lift slightly while cleaning. This is normal.
17. The cleaner should be stored in a cool and ventilated place, away from direct sunlight or any heat source. Never cover the cleaner with anything that would cause internal electrical components to overheat.

II. Using the Cleaner

- a. Place the cleaner in the pool water with the bottom of the cleaner on an angle facing the wall (see diagram). Hold the cleaner and power it on. The cleaner will start working after 20 seconds when all of the trapped air within escapes (small bubbles will exit the cleaner). The cleaner will slowly float down to the pool floor to begin cleaning the pool.
- b. The cleaner will move to pool's edge when it is finished cleaning. Use the hook provided to lift the cleaner out of the pool.



III. Introduction

The Latitude Plus robotic pool cleaner is a new type of cordless, rechargeable automatic pool cleaner for swimming pools. It is easy to use and to maintain. This model is powered by a highly efficient 25.2V / 6,400 mAh lithium-ion battery pack, designed to be safe to use.

Packing list

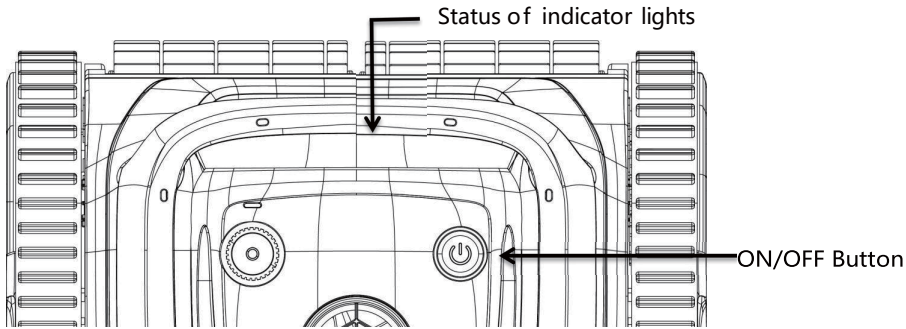
Item	Name	Quantity
1	Latitude Plus	1
2	Hook	1
3	Owner's manual, Certificate of Use	1
4	Charger	1
5	Floating blocks	2

IV. Specifications

Charger Input	100 – 240 V/ 47-63 Hz.
Nominal Voltage	25.2 V
Cleaner Power Rating	80W
Battery Capacity (high- efficiency)	6,400 mAh
Rated Current/ Voltage Output of Charger	3A/ 29.4V
Cleaning Modes:	1. Floor and Wall: up to 145-min; 2. Floor only: up to 180-min
Flow Rate	max 13m ³ /h (3,432 GPH)
Filtration Density (2 baskets)	100µm (fine) 180µm (standard)
Moving Speed	~ 36 ft/ min (11m./min)
Waterproof Grade	IPX8
Cleaner Water Temperature Range	41 °F -95 °F (5 °C-35 °C)
Cleaner Weight	18.3 lbs. (8.3kg)
Cleaner Dimensions (inches/ mm)	15" / 385 (L) * 14" / 355 (W) * 10" / 250 (H)
Storage Condition	41 °F -95 °F (5 °C-35 °C)
Charging Time	2- 2.5 Hours

IV.1 Operations

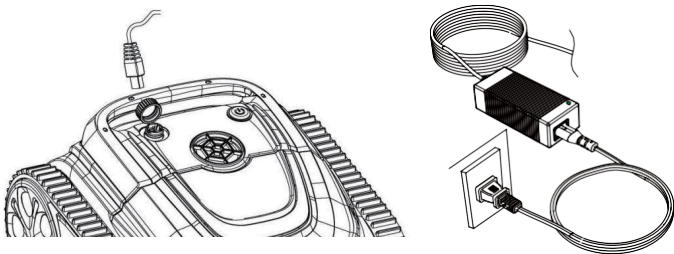
4.1 LED Indicator Lights



No.	Function	Description
1	ON/OFF Button	While cleaner is OFF, press the ON/OFF button once and the blue light will go ON indicating power is ON. Press the button again and the red light will go on indicating the power is OFF. Several seconds later, the red light will go OFF.
2	Indicator Light Status	<ol style="list-style-type: none"> 1. Blue light is always on: cleaner is on 2. Blue light flashes: normal operation 3. Yellow light flashes: battery is low and needs to be charged & cleaner will return to a wall and stop moving 4. Yellow light is always on: battery is low and needs to be charged & cleaner will return to a wall and stop moving 5. Red light flashes or remains on: the cleaner may need to be serviced

IV.2 Charging the Cleaner

Make sure that the cleaner is turned off (the indicator lights are completely off). Remove the cleaner from the water and place it on a dry flat surface. Unscrew the waterproof cap on the cleaner, dry the charging port thoroughly and insert the charging connector into the port. If the battery charger light is red, it indicates that the cleaner is charging. When the light turns green, it indicates that charging is complete.



IV.2.2 Charger Indicator Light Status

Color and Status of Indicator lights	Charging State
1 Green light is always on	Charging is complete or the cleaner is fully charged, or the battery is not plugged in
2 Red light is always on	Cleaner needs to be charged

IV.3 Removing the Filter Basket

4.3.1 Place the cleaner on a flat, dry surface, open the top cover by hand and access the filter basket as shown in (Figure 4-1), and (Figure 4-2).

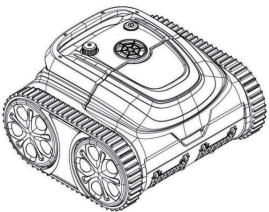


Figure 4-1

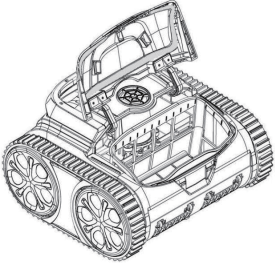


Figure 4-2

4.3.2 Remove the filter basket from the cleaner (Figure 4-3).

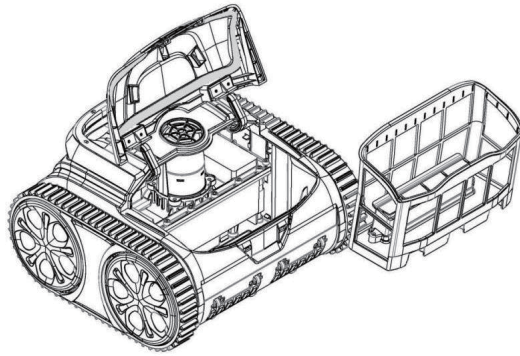


Figure 4-3

4.3.3 Cleaning of the filter basket

Rinse the dirt off the filter screen using a high-end spray nozzle (Figure 4-4).

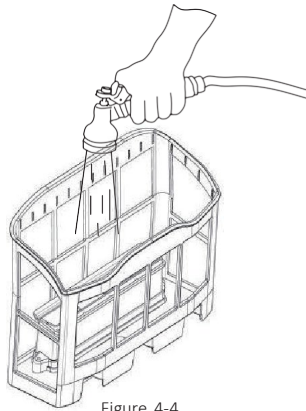


Figure 4-4

4.3.4 Replacing the Filter Basket

Reinstall the filter basket by aligning the opening located at the bottom of the basket with the water inlet located at the bottom of the cleaner. Close the cover plate until you hear a click indicating that the filter basket is installed correctly.

V. SMART APP Connect

(The cleaner should NOT be in the water while connecting to the APP):

1. Download the App:

Option 1: Go to www.inopool-us.com/latitudeapp to scan the QR code for both IOS and Android smartphones and download the Inopool APP.

Option 2: Search and download the APP in the App Store

1. For Android phones, search google play for INOPOOL and download it.

For iPhone, search the app store for INOPOOL and download it.

2. Power on the cleaner, the blue light should appear and remain ON.

3. Connect the APP with the cleaner while the cleaner is ON.

4. Once the connection is successful, the APP will give a "Success" prompt. At the same time, the cleaner indicator light will turn purple and remain ON.

5. Enter the APP interface, the default parameters of the cleaner will be displayed. Set the parameters in accordance with your pool size, type, and cleaning preferences. Press the ON/OFF button to shut OFF the cleaner.

6. Restart the cleaner by pressing the ON/OFF button. A blue light should appear. The cleaner will now execute the corresponding cleaning program in accordance with the parameters recently set.

Note:

1. The APP requires a Bluetooth connection with your phone. Please make sure that your Bluetooth is on and connected to the APP.

2. The APP is suitable for iOS 14 and above, and Android 8.0 and above.

3. To obtain weather information in the APP, you need to turn on Location Services.

VI. Installation of Floating Blocks (*optional*)

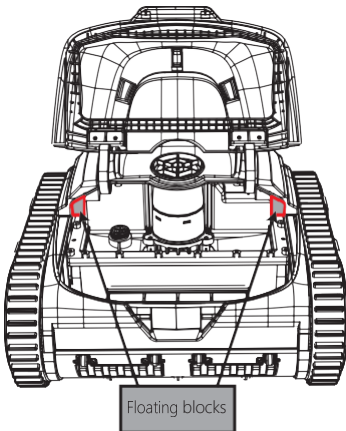


Figure 6-1

When the cleaner is having difficulty climbing the wall and cannot clean the waterline or when it tilts badly while climbing the wall, refer to figure 6-1. If the cleaner climbs the wall normally, the following installation is not required. After removing the adhesive tape, attach the floating blocks to the cleaner as indicated in (Figure 6-1).

1. Prior to installing the floating blocks, dry the cleaner and the adhesive area on the blocks thoroughly.
2. The adhesive located on the back of the top floating block must be glued securely to the top cover on the cleaner. Wait 24 hours before placing the cleaner into the pool water.

VII- WARRANTY

LIMITED WARRANTY- USA/CANADA

General Terms

Note: Please retain the original box/packaging and internal packaging materials for any Inovasia product to facilitate warranty returns. You are solely responsible for damage during shipping. You may need to purchase packaging / shipping materials from Inovasia's repair center to ship your product.

Inovasia ("Inovasia") warrants this product ("Product") against defects in material or workmanship for the time period set forth below ("Warranty Period") for each product type.

Pursuant to this Limited Warranty, during the Limited Warranty Period upon receipt of verification of the purchase date of Product and warranty return in accordance herewith, Inovasia will, in its sole discretion:

- (i) repair the Product (or parts thereof determined to be defective) to the original specifications, or
- (ii) replace the Product with a new or refurbished* Product.

In the event of a covered defect, these are your exclusive remedies.

* For purposes of this Limited Warranty, "refurbished," means a product or part that has been returned to its original specifications.

The Latitude Plus comes with a 2+1 limited warranty period**

***** 2 years on printed circuit board (PCB), 3 years on Motor; 2 years full on Battery, +1 year or a total (lifetime) of 300 charge cycles (whichever comes first)***

Warranty Claim Procedure

To obtain warranty service, you must comply with the following requisite instructions:

(1) Visit website at <https://inopool-us.com>. You will be guided through the process on how to obtain an RMA# (Return Merchandise Authorization Number), which is required for all approved warranty returns. All customers **must** obtain an RMA number before any Product will be accepted for warranty service. For additional help go to: customerservice@avalancheind.com

(2) Package the Product properly and securely, along with the Inovasia battery charger (if the unit requires an Inovasia charger), in the original box.

(3) Attach the printed RMA number you received from the website to the outside of the package. **Note:** It is advisable to also place a copy of the RMA inside of the package. If you are not able to print the RMA number from the website, you must write your RMA number legibly on two sides of the box. We recommend using thick black indelible marker. Packages lacking an RMA or having illegible RMA will not be accepted for warranty service.

(4) Ship the Product with the RMA clearly legible to:

Attention: Avalanche 3PL 144 Dixon St, Selbyville, DE 19975

Inovasia is not responsible for lost, stolen or damaged property in transit to Avalanche 3PL & recommends that you insure the contents of your package.

(5) *Repair/Replacement Warranty.* This Limited Warranty shall apply to any repair, or replacement of any Product or part(s) for the lesser of the remainder of the original Limited Warranty Period or for (1) year whichever is shorter. Any original Products or parts replaced during Warranty Service shall become the exclusive property of Inovasia.

Limitations and Exclusions

THIS LIMITED WARRANTY IS SOLELY APPLICABLE TO NEW PRODUCTS PURCHASED IN THE US AND CANADA FROM AN AUTHORIZED INOPOOL DEALER BY THE ORIGINAL PURCHASER AND IS NOT TRANSFERABLE TO SUBSEQUENT PURCHASERS. This Limited Warranty covers only defects in material or workmanship that arise in manufacturing or in the course of ordinary consumer use and which preclude normal use of the Product for its intended purpose. REFURBISHED PRODUCTS ARE NOT SUBJECT TO THIS WARRANTY BUT ARE INSTEAD SUBJECT THE TERMS OF THEIR SALE, INCLUDING ANY WARRANTY PERIOD SPECIFIED AT THE TIME OF PURCHASE.

Exclusions. This Limited Warranty does not cover defects that are solely cosmetic in nature, or which do not interfere with function of a warranted Product. Also excluded are issues caused by other than manufacturing or normal consumer use, including but not limited to Product issues caused by commercial use of any kind or extent, misuse, abuse, accidental damage, limitations in technology, or unauthorized access to or modification of any part of the Product. This Limited Warranty is void if the factory-applied serial number has been altered or removed from the Product. This Limited Warranty does **not** cover any Inovasia products sold AS IS or WITH ALL FAULTS or consumables (such as batteries), or those which are expressly excluded from warranty coverage, including but not limited to accessories and supplemental items provided with various Products.

Disclaimer of Other Warranties. TO THE MAXIMUM EXTENT PERMITTED BY APPLICABLE LAW, AND EXCEPT AS PROVIDED HEREIN, INOVASIA EXPRESSLY DISCLAIMS ALL WARRANTIES EXPRESS OR IMPLIED IN CONNECTION WITH THE PRODUCTS, INCLUDING BUT NOT LIMITED TO WARRANTIES OF FITNESS FOR A PARTICULAR PURPOSE AND MERCHANTABILITY.

Exclusion of Damages and Limits of Liability. IN NO EVENT, REGARDLESS OF THE LEGAL BASIS FOR THE CLAIM, WILL INOVASIA, ITS AFFILIATES, AND/OR REPRESENTATIVES' BE LIABLE FOR SPECIAL, INDIRECT, CONSEQUENTIAL, EXEMPLARY, OR PUNITIVE DAMAGES, EVEN IF INOVASIA HAS KNOWLEDGE OF OR BEEN ADVISED OF THE POSSIBILITY OF SUCH DAMAGES AND WHETHER OR NOT THEY ARE FORESEEABLE. STATUTORY DAMAGES AWARDED UNDER ANY LAW WILL BE DEEMED TO BE DIRECT AND COMPENSATORY, AND NOT PUNITIVE OR EXEMPLARY DAMAGES; AND IN NO EVENT SHALL INOVASIA BE LIABLE TO CUSTOMER OR ANY OTHER PERSON OR ENTITY FOR LIABILITY ARISING OUT OF THIS WARRANTY, WHETHER ARISING IN CONTRACT, TORT (INCLUDING NEGLIGENCE AND STRICT LIABILITY), BREACH OF WARRANTY OR ANY OTHER LEGAL THEORY.

INOVASIA'S AGGREGATE LIABILITY UNDER THIS WARRRANTY SHALL BE LIMITED TO DIRECT DAMAGES UP TO THE GREATER OF THE AMOUNT PAID BY CUSTOMER FOR ANY PRODUCT COVERED UNDER THIS WARRANTY OR ONE THOUSAND DOLLARS (US) (US \$500). THIS LIMITATION APPLIES REGARDLESS OF WHETHER THE ALLEGED LIABILITY IS BASED ON BREACH OF CONTRACT, TORT (INCLUDING NEGLIGENCE), STRICT LIABILITY, BREACH OF WARRANTIES, OR ANY OTHER LEGAL THEORY.

NOTWITHSTANDING THE FOREGOING, THE LIMITATIONS AND THE EXCLUSIONS SET FORTH IN THIS WARRANTY DO NOT APPLY TO (I) INOVASIA'S LIABILITY FOR ANY DAMAGES AWARDED OR ANY AMOUNTS TO SETTLE LITIGATION OR THREATENED CLAIMS RESULTING FROM DEATH, BODILY INJURY, OR ITS GROSS NEGLIGENCE OR WILLFUL MISCONDUCT. CUSTOMER ACKNOWLEDGES THAT INOVASIA HAS SET ITS PRICES FOR THE PRODUCT AND PROVIDED THIS WARRANTY IN RELIANCE UPON THE LIMITATIONS OF LIABILITY AND THE DISCLAIMERS OF WARRANTIES AND DAMAGES SET FORTH HEREIN, AND THAT THE SAME FORM AN ESSENTIAL BASIS OF THE BARGAIN BETWEEN THE PARTIES WITH RESPECT TO THIS WARRRANTY.

ENVIRONMENTAL REGULATIONS

Please respect the local regulations and help to protect the environment.

Return non-working electrical equipment to a facility appointed by your municipality that properly recycles electrical and electronic equipment. DO NOT dispose of the device illegally. Remove all batteries before disposing of the device.

Inovasia reserves the right to change all or part of the contents in this document without prior notice



Trouble Shooting

If you have problems with your cleaner, follow the troubleshooting below to restore performance. NOTE: Turn off the power prior to making any repairs.

Problem	Possible Causes	Solution
The switch knob cannot be turned or cannot be turned easily	There is sand or other debris stuck in the knob gap	a. Check whether sand or other debris is stuck in the knob gap b. Remove sand or other debris
The robot does not power on and therefore does not operate	The battery is damaged	Go to www.inopool-us.com Support section and follow the instructions for additional help
	The PCB board is damaged	Go to www.inopool-us.com Support section and follow the instructions for additional help
	The sealed box leaks	Go to www.inopool-us.com Support section and follow the instructions for additional help
The indicator light flashes red and the robot will not operate	The robot is not placed in the water in time, and the pump protection feature was activated.	Restart the robot and submerge it in water within 5-10 seconds
	The impeller is damaged	Replace the impeller avoiding its sharp edges
	The impeller may be stuck due to debris	Check the impeller and remove the debris carefully
	The motor is damaged	Go to www.inopool-us.com Support section and follow the instructions for additional help
	Motor overheating protection	Wait 10 minutes and restart the cleaner. Go to www.inopool-us.com if the issue is not resolved
	The battery may need to be charged	Charge the battery

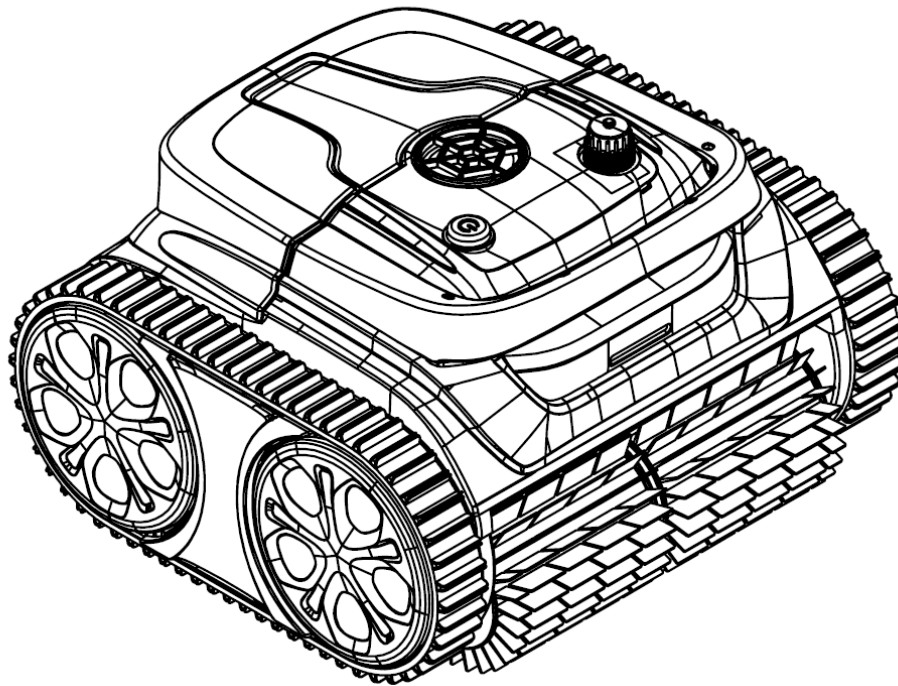
Problem	Possible Causes	Solution
Robot does not climb the wall	Sensor failure	Go to www.inopool-us.com Support section and follow the instructions for additional help.
	Full or clogged filter basket	Check the filter basket and if clogged, clean it thoroughly
	The filter basket is full	Check the filter basket and if full, empty, and clean thoroughly
	Incorrect mode setting	Open the mobile APP, check the settings, and change to wall-climbing mode
The robot touches the wall but does not reverse course	Sensor failure	Go to www.inopool-us.com Support section and follow the instructions for additional help
The indicator light on the charger is off while the cleaner is charging	The charger may be damaged	Replace the charger
The battery will not charge	The charger may be damaged	Replace the charger
	The charging pins are corroded	Carefully clean the charging pins with baking soda or Go to www.inopool-us.com Support section and follow the instructions for additional help
	The battery may be damaged	Go to www.inopool-us.com Support section and follow the instructions for additional help
The robot does not clean the entire pool	Sensor failure	Go to www.inopool-us.com Support section and follow the instructions for additional help
	The shape of the pool is unusual or custom	Open the mobile APP, check the settings, and adjust the cleaning mode.
	The motor may be damaged	Go to www.inopool-us.com Support section and follow the instructions for additional help

Latitude Plus

ROBOT DE NETTOYAGE DE PISCINES

Fond / Parois / Ligne d'eau

Mode d'emploi



INOPOOL

Merci pour votre achat d'un de robot de nettoyage de piscine Latitude Plus. Veuillez lire attentivement le mode d'emploi avant d'utiliser le robot. Nous ne sommes pas tenus responsables de toute perte ou blessure causée par une mauvaise utilisation. Si vous rencontrez un problème avec votre robot Latitude Plus, veuillez contacter notre service clients pour obtenir de l'aide. . Service clients: www.inopool-us.com

Table des matières

I.	Précautions importantes	Page 3
II.	Mise en route du robot	Page 4
III.	Introduction/ Packing List	Page 5
IV.	Spécifications	Page 6
IV.1	Instructions d'usage	Page 7
IV.2	Chargement du robot	Page 8
IV.2.2	Voyants du chargeur	Page 8
IV. 3	Nettoyage du panier	Page 8/9
V.	Connexion d'applications mobiles	Page 10/11
VI.	Installation de flotteurs(<i>option</i>)	Page 11
VII.	Garantie	Page 12-15



Précautions importantes

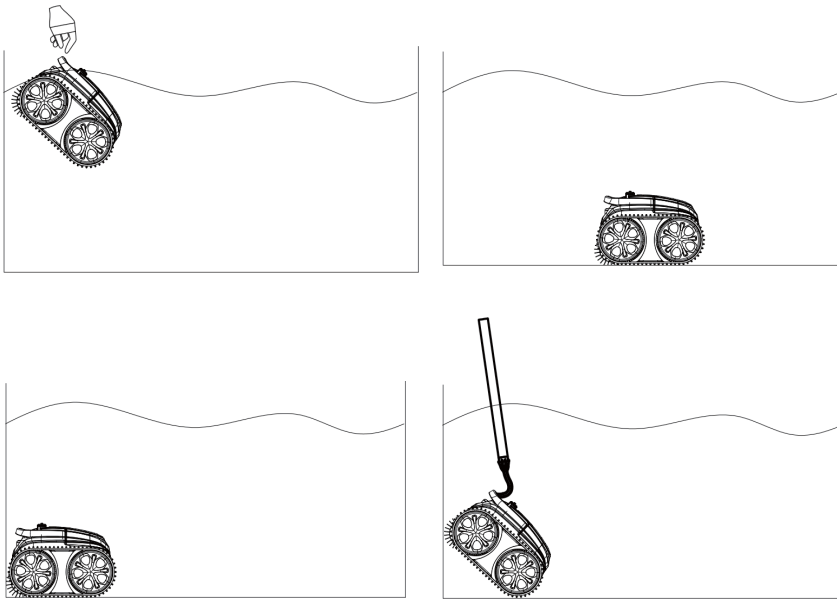
Veillez lire attentivement le mode d'emploi

1. Il est strictement interdit d'utiliser l'appareil au-delà des conditions d'utilisation de cette machine, veuillez lire attentivement ce manuel avant utilisation. Veuillez utiliser le produit conformément aux instructions du manuel. Nous ne sommes pas responsables de toute perte ou blessure causée par une mauvaise utilisation.
2. Utilisez uniquement les accessoires recommandés ou vendus par le fabricant.
3. Ce produit peut être utilisé par des enfants âgés de 8 ans ou plus, ou des personnes dont les capacités physiques, sensorielles ou intellectuelles sont réduites, à condition que ces enfants ou personnes soient sous surveillance ou qu'ils aient reçu des instructions de leur tuteur légal. Les enfants doivent être surveillés afin qu'ils ne puissent monter sur ou jouer avec cet appareil.
4. Afin d'éviter les accidents, l'appareil doit être retiré de la piscine lors de la charge, et le chargeur et l'appareil doivent être placés à l'intérieur ou dans une installation à l'abri des douches pour la charge. Assurez-vous que le port de charge est sec avant de charger.
5. Utilisez uniquement l'adaptateur de charge d'origine et autorisé.
6. Une fois que l'appareil a été retiré de l'eau, confirmez que le port de charge est sec, puis connectez le chargeur et confirmez que l'appareil a été éteint (le voyant de l'appareil est complètement éteint), sinon il ne peut pas être chargé normalement.
7. L'adaptateur de charge doit être connecté à une prise protégée contre les fuites et liée à la terre lors de la charge, et assurez-vous que le fil de mise à la terre est standardisé et fiable.
8. Il est strictement interdit d'utiliser d'autres chargeurs pour charger l'appareil. Ne pas utiliser ce chargeur pour charger d'autres appareils à batterie, afin de ne pas endommager le chargeur ou l'appareil.
9. Lorsque le nettoyeur fonctionne, il est strictement interdit à quiconque d'entrer dans l'eau pour éviter tout danger.
10. Lorsque le nettoyeur est placé sur terre, veuillez ne pas l'allumer, sinon cela affectera l'utilisation normale du nettoyeur.
11. Nettoyez le boîtier du filtre à temps après chaque utilisation, afin de ne pas affecter le fonctionnement du nettoyeur en raison d'une trop grande quantité de saleté dans le boîtier du filtre.
12. L'appareil doit être stocké dans un endroit frais et aéré, à l'abri de la lumière directe du soleil lorsque vous ne l'utilisez pas.
13. Il est interdit aux non-professionnels de démonter le boîtier d'étanchéité de l'appareil et l'ensemble du boîtier d'étanchéité du capteur, afin d'éviter tout danger ou dommage au nettoyeur.
14. Chargez la batterie avant qu'elle ne soit complètement déchargée. Veuillez le charger à temps quand le voyant jaune de l'appareil s'allume.
15. Ne chargez pas la batterie lorsqu'elle est complètement chargée. Une surcharge réduira la durée de vie de la batterie.
16. Les joints d'huile du moteur contiennent de la graisse qui peut polluer l'eau en cas de fuite.
17. Chargez l'appareil dans un environnement de 5°C à 35°C. En cas de surchauffe de la batterie, la batterie doit être refroidie avant la charge.
18. Lorsque l'appareil est stocké pendant une longue période, il doit être maintenu chargé entre 40% et 60% tous les trois mois afin de maintenir la durée de vie de la batterie. Veuillez utiliser uniquement l'adaptateur de charge d'origine et autorisé. Si l'appareil n'est pas chargé pendant une longue période, la tension de la batterie sera inférieure à la tension de protection contre les décharges excessives en raison de l'autodécharge de la batterie, ce qui peut entraîner des dommages mortels.
19. Ne percez pas la coque de l'appareil avec des clous ou d'autres objets pointus. Ne martelez pas, n'impactez pas et ne lancez pas l'appareil.
20. Ne chargez pas l'appareil à proximité d'un feu ou dans des conditions extrêmement chaudes! N'utilisez pas et ne stockez pas l'appareil à proximité d'une source de chaleur.
21. Pendant le fonctionnement sous-marin de la machine, la machine peut occasionnellement «lever sa tête», il s'agit de fonctionnement normal de la machine, cela ne signifie pas que la machine est en panne.

II. Mise en route du robot

1. Lorsque vous placez le nettoyeur dans la piscine, le bas de l'appareil doit faire face au paroi de la piscine, tenez la manche et enfoncez la machine dans l'eau, en même temps, allumez l'appareil, une fois que le nettoyeur a déchargé lentement le gaz, il commence à fonctionner en 30 secondes (le gaz dans l'appareil doit être complètement déchargé, sinon cela affectera le fonctionnement normal de la machine) et laissez-le couler naturellement au fond de la piscine.

2. Une fois que le nettoyeur a terminé son travail, elle s'arrête automatiquement sur le rivage. Nous pouvons sortir l'appareil avec un crochet.



III. Introduction

Le robot Latitude Plus est une nouvelle génération de robots à batterie rechargeable pour le nettoyage des piscines. Il est facile à utiliser et à entretenir. L'appareil est alimenté par une puissante batterie de Lithium-Ions de 25.2V / 6,400 mAh lithium-ion qui lui confère une sécurité élevée.

Packing list

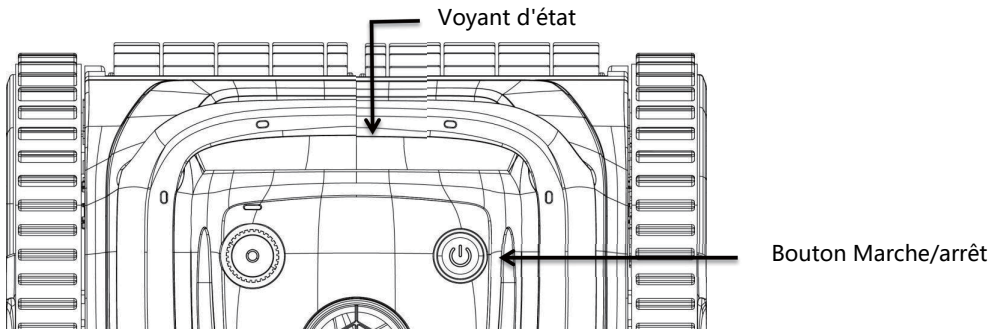
Ref	Description	Quantité
1	Robot Latitude Plus	1
2	Crochet	1
3	Mode d'emploi	1
4	Chargeur	1
5	Floateurs	2

IV. Specifications

Tension d'entrée du chargeur de batterie au lithium	100 – 240 V/ 47-63 Hz.
Voltage Nominal	25.2 V
Puissance de l'appareil	80W
Capacité de la batterie	6,400 mAh
Courant et Tension de sortie nominale du chargeur	3A/ 29.4V
Cycles de nettoyage :	A. Mode de fonctionnement: fond de piscine +paroi de piscine about 145min; B. Mode de fonctionnement: fond de piscine uniquement: about 180min
Volume de filtration	max 13m ³ /h (3,432 GPH)
Capacité de filtration (2 paniers)	100µm (extra-fin)/180µm(standard)
Vitesse de déplacement	~ 36 ft/ min (11m./min)
Indice de protection IP	IPX8
Température de fonctionnement	41 °F -95 °F (5 °C-35 °C)
Poids du robot	18.3 lbs. (8.3kg)
Dimension du robot (inches/ mm)	15" / 385 (L) * 14" / 355 (W) * 10" / 250 (H)
Température de stockage	41 °F -95 °F (5 °C-35 °C)
Temps de charge	2- 2.5 Hours

IV.1 Instructions d'usage

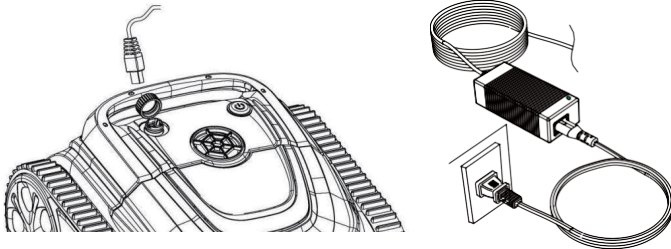
4.1 Boutons et voyants



No.	Symbole	D	tion	Instructions
1		Bouton	Marche/Arrêt	Appuyez sur le bouton Marche/Arrêt à l'état d'arrêt et le voyant bleu s'allume pour indiquer le démarrage, appuyez de nouveau sur le bouton Marche/Arrêt, le voyant rouge s'allume pour indiquer l'arrêt et le voyant rouge s'éteint après l'arrêt.
2		Voyant d'état de	l'appareil	<ol style="list-style-type: none">1. Le voyant en bleu s'allume toujours: démarrage2. Le voyant en bleu clignote: fonctionner normalement3. Le voyant en jaune clignote: faible puissance et se déplace vers le côté4. Le voyant en jaune s'allume toujours: faible puissance et s'arrêter sur le côté5. Le voyant en rouge clignote et s'allume toujours: défaut de l'appareil
Dépannage:				1. Lorsque le voyant en rouge clignote et reste allumé, éteignez et redémarrez, s'il ne peut pas revenir à la normale, veuillez contacter le service après-vente.

IV.2 Chargement du robot

Assurez-vous que la machine est éteinte (le voyant est complètement éteint). Lors de la charge, veuillez sortir la machine de la piscine et placez le chargeur et la machine à l'intérieur ou dans un endroit à l'abri de la pluie pour la charge. Dévissez le capuchon étanche sur la machine (assurez-vous que le port de charge est sec) et insérez le connecteur de charge, la batterie est en charge lorsque le voyant du chargeur est en rouge et il devient vert quand la charge est terminée.



IV.2.2 Voyants du chargeur

Couleur et état du voyant	État de charge
1 Le voyant s'allume toujours en vert.	En attente de charge ou la batterie n'est pas branchée ou la charge est terminée
2 Le voyant s'allume toujours en rouge.	Charge normale

IV.3 Nettoyage du panier

4.3.1 Sortez le boîtier de filtre: mettez le nettoyeur sur le rivage, ouvrez le couvercle à la main comme indiqué sur la figure (Figure 4-1), et le boîtier de filtre est illustré sur la figure (Figure 4-2).

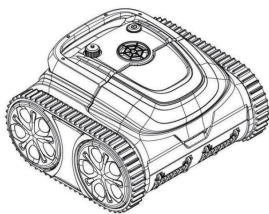


Figure 4-1

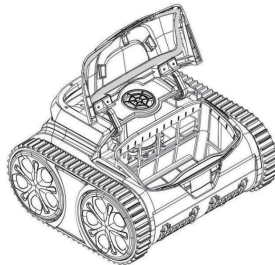


Figure 4-2

4.3.2 Retirer le panier filtrant du robot (Figure 4-3).

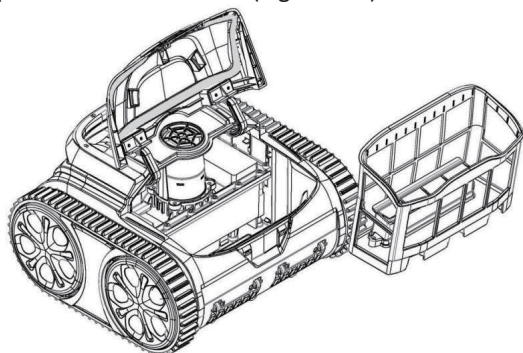


Figure 4-3

4.3.3 Nettoyer le panier filtrant en utilisant de l'eau propre à l'aide d'un jet d'eau (Figure 4-4).

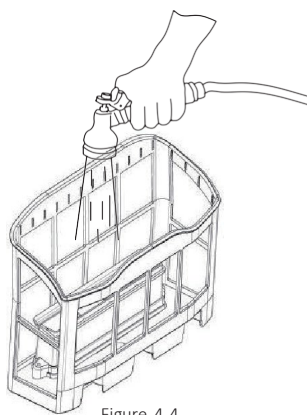


Figure 4-4

4.3.4 Reinstallation du panier filtrant

Replacer le panier filtrant sur l'appareil en l'alignant avec le port d'aspiration, puis mettez le couvercle et enfin ajustez parfaitement le couvercle.

V. connexion d'applications mobiles

1. Téléchargement de la Application:

Option 1: Aller sur le site www.inopool-us.com/latitudeapp pour scanner le code QR pour télécharger les App IOS et Android INOPOOL.

Option 2: Recherchez et téléchargez de la boutique d'applications

1) Pour les téléphones Android, recherchez INOPOOL dans Google Play pour télécharger

2) Pour iPhone, recherchez INOPOOL dans app store pour télécharger

2. Allumez l'appareil, et le voyant de la machine est toujours en bleu.

3. Utilisez l'APP pour vous connecter à la machine suivant le démarrage de la machine.

4. Une fois la connexion réussie, l'APP aura une invite de réussite, en même temps, le voyant de la machine s'allume toujours en violet.

5. Les paramètres actuels de la machine seront affichés sur l'interface APP et les utilisateurs pourront régler les paramètres en fonction de leurs besoins de nettoyage.

6. Choisir les paramètres requis

Après le redémarrage, la machine exécutera le programme de nettoyage correspondant selon les paramètres prédéfinis.

Remarques:

1. Vous devez autoriser l'application à accéder au Bluetooth et à la localisation du téléphone.

2. L'application est adaptée pour ios14 et supérieur, et pour Android8.0 et supérieur.

3. Pour obtenir des informations météorologiques dans l'APP, vous devez activer le service de localisation.

VI. Installation de flotteurs(option)

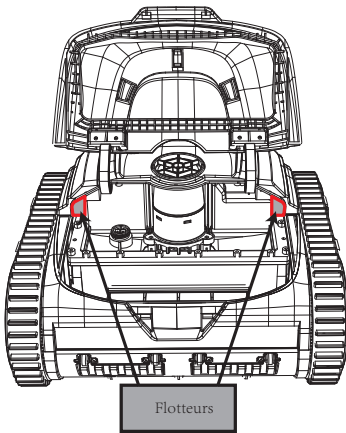


Figure 6-1

S'il est difficile pour la machine d'escalader le mur, elle n'arrive pas à atteindre la ligne d'eau, et que l'inclinaison est importante, suivez le schéma pour résoudre le problème. Si l'escalade du mur est normale, les opérations suivantes ne sont pas nécessaires. Retirez l'adhésif des deux flotteurs supérieurs et collez-les sur la machine. Installez selon la figure 6-1.

Remarques:

1. Avant l'installation, il faut s'assurer que la position de collage est exempte d'eau.
2. Il y a la colle à l'arrière du flotteur supérieur, et il doit être collé en place lorsqu'il est installé sur le grand couvercle, et attendez 24h avant d'entrer dans l'eau.

VII- GARANTIE

GARANTIE LIMITEE- USA/CANADA

Conditions Générales

Note : Veuillez conserver la boîte/l'emballage d'origine et les matériaux d'emballage interne de tout produit Inovasia afin de faciliter les retours sous garantie. Vous êtes seul responsable des dommages survenus pendant le transport. Il se peut que vous deviez acheter des matériaux d'emballage/d'expédition auprès du centre de réparation d'Inovasia pour expédier votre produit.

Inovasia (" Inovasia ") garantit ce produit (" Produit ") contre tout défaut de matériau ou de fabrication pendant la période indiquée ci-dessous (" Période de garantie ") pour chaque type de produit.

Conformément à cette garantie limitée, pendant la période de garantie limitée, sur réception de la vérification de la date d'achat du produit et du retour de la garantie conformément aux présentes, Inovasia, à sa seule discrétion :

- (i) réparer le produit (ou les parties du produit jugées défectueuses) conformément aux spécifications d'origine,
- ou
- (ii) remplacer le produit par un produit neuf ou remis à neuf*.

En cas de défaut couvert, les recours suivants sont exclusifs.

* Aux fins de la présente garantie limitée, le terme "remis à neuf" désigne un produit ou une pièce qui a été ramené(e) à ses spécifications d'origine.

Le Latitude Plus bénéficie d'une période de garantie limitée de 2+1**

***** 2 ans sur le circuit imprimé (PCB), 3 ans sur le moteur ; 2 ans complets sur la batterie, +1 an ou un total (durée de vie) de 300 cycles de charge (le premier des deux prévalant).***

Procédure de demande de garantie

Pour bénéficier du service de garantie, vous devez suivre les instructions suivantes :

- (1) Visitez le site Web à l'adresse <https://inopool-us.com>. Vous serez guidé dans la procédure d'obtention d'un numéro RMA (numéro d'autorisation de retour de marchandise), qui est nécessaire pour tous les retours sous garantie approuvés. Tous les clients doivent obtenir un numéro RMA avant qu'un produit ne soit accepté pour un service sous garantie. Pour obtenir de l'aide supplémentaire, consultez le site : customerservice@avalancheind.com
- (2) Emballez correctement et solidement le produit, ainsi que le chargeur de batterie Inovasia (si l'unité nécessite un chargeur Inovasia), dans la boîte d'origine.
- (3) Attachez le numéro RMA imprimé que vous avez reçu sur le site Web à l'extérieur du colis. Remarque : Il est conseillé de placer également une copie du RMA à l'intérieur du colis. Si vous n'êtes pas en mesure d'imprimer le numéro RMA à partir du site web, vous devez écrire votre numéro RMA de manière lisible sur les deux côtés de la boîte. Nous vous recommandons d'utiliser un marqueur noir épais et indélébile. Les colis ne comportant pas de RMA ou dont le RMA est illisible ne seront pas acceptés pour le service de garantie.
- (4) Expédiez le produit avec le numéro RMA clairement lisible à :
Attention : Avalanche 3PL 144 Dixon St, Selbyville, DE 19975
Inovasia n'est pas responsable des biens perdus, volés ou endommagés pendant le transport vers Avalanche 3PL et vous recommande d'assurer le contenu de votre colis.
- (5) Garantie de réparation/remplacement. La présente garantie limitée s'applique à toute réparation ou remplacement d'un produit ou d'une pièce pour la durée restante de la période de garantie limitée d'origine ou pour une durée de (1) an, la durée la plus courte étant retenue. Tous les produits ou pièces d'origine remplacés pendant le service de garantie deviendront la propriété exclusive d'Inovasia.

Limitations et exclusions

CETTE GARANTIE LIMITÉE S'APPLIQUE UNIQUEMENT AUX NOUVEAUX PRODUITS ACHETÉS AUX ÉTATS-UNIS ET AU CANADA AUPRÈS D'UN REVENDEUR INOPOOL AGRÉÉ PAR L'ACHETEUR INITIAL ET N'EST PAS TRANSFÉRABLE AUX ACHETEURS ULTÉRIEURS. Cette garantie limitée ne couvre que les défauts de matériaux ou de fabrication survenant lors de la fabrication ou au cours d'une utilisation normale par le consommateur et qui empêchent l'utilisation normale du produit pour l'usage auquel il est destiné. LES PRODUITS REMIS À NEUF NE SONT PAS SOUMIS À CETTE GARANTIE, MAIS AUX CONDITIONS DE LEUR VENTE, Y COMPRIS TOUTE PÉRIODE DE GARANTIE SPÉCIFIÉE AU MOMENT DE L'ACHAT.

Exclusions. La présente garantie limitée ne couvre pas les défauts de nature purement esthétique ou qui n'interfèrent pas avec le fonctionnement d'un produit garanti. Sont également exclus les problèmes causés par des facteurs autres que la fabrication ou l'utilisation normale par le consommateur, y compris, mais sans s'y limiter, les problèmes de produit causés par une utilisation commerciale de quelque nature ou étendue que ce soit, une mauvaise utilisation, un abus, des dommages accidentels, des limitations technologiques, ou un accès non autorisé à une partie du produit ou une modification de celui-ci. La présente garantie limitée est nulle si le numéro de série apposé en usine a été modifié ou retiré du produit. La présente garantie limitée ne couvre pas les produits Inovasia vendus EN L'ÉTAT ou AVEC TOUS LES DÉFAUTS, ni les consommables (tels que les piles), ni ceux qui sont expressément exclus de la couverture de la garantie, y compris, mais sans s'y limiter, les accessoires et les articles supplémentaires fournis avec divers produits.

Exclusion des autres garanties. DANS TOUTE LA MESURE PERMISE PAR LA LOI APPLICABLE, ET A L'EXCEPTION DE CE QUI EST PREVU DANS LES PRESENTES, INOVASIA REJETTE EXPRESSEMENT TOUTES LES GARANTIES EXPRESSES OU IMPLICITES EN RAPPORT AVEC LES PRODUITS, Y COMPRIS, MAIS SANS S'Y LIMITER, LES GARANTIES D'ADEQUATION A UN USAGE PARTICULIER ET DE QUALITE MARCHANDE.

Exclusion des dommages et limites de responsabilité. EN AUCUN CAS, QUEL QUE SOIT LE FONDEMENT JURIDIQUE DE LA RÉCLAMATION, INOVASIA, SES SOCIÉTÉS AFFILIÉES ET/OU SES REPRÉSENTANTS NE SERONT RESPONSABLES DES DOMMAGES SPÉCIAUX, INDIRECTS, CONSÉCUTIFS, EXEMPLAIRES OU PUNITIFS, MÊME SI INOVASIA A CONNAISSANCE OU A ÉTÉ INFORMÉE DE LA POSSIBILITÉ DE TELS DOMMAGES ET QU'ILS SOIENT PRÉVISIBLES OU NON. LES DOMMAGES-INTÉRÊTS STATUTAIRES ACCORDÉS EN VERTU DE TOUTE LOI SERONT CONSIDÉRÉS COMME DES DOMMAGES-INTÉRÊTS DIRECTS ET COMPENSATOIRES, ET NON COMME DES DOMMAGES-INTÉRÊTS PUNITIFS OU EXEMPLAIRES ; ET EN AUCUN CAS INOVASIA NE SERA RESPONSABLE ENVERS LE CLIENT OU TOUTE AUTRE PERSONNE OU ENTITÉ DE LA RESPONSABILITÉ DÉCOULANT DE CETTE GARANTIE, QU'ELLE SOIT CONTRACTUELLE, DÉLICTEUSE (Y COMPRIS LA NÉGLIGENCE ET LA RESPONSABILITÉ STRICTE), DE RUPTURE DE GARANTIE OU DE TOUTE AUTRE THÉORIE JURIDIQUE.

LA RESPONSABILITÉ GLOBALE D'INOVASIA AU TITRE DE LA PRÉSENTE GARANTIE SERA LIMITÉE AUX DOMMAGES DIRECTS JUSQU'AU MONTANT LE PLUS ÉLEVÉ ENTRE LE MONTANT PAYÉ PAR LE CLIENT POUR TOUT PRODUIT COUVERT PAR LA PRÉSENTE GARANTIE ET MILLE DOLLARS (US) (500 \$ US). CETTE LIMITATION S'APPLIQUE INDÉPENDamment DU FAIT QUE LA RESPONSABILITÉ PRÉSUMÉE SOIT FONDÉE SUR UNE RUPTURE DE CONTRAT, UN DÉLIT CIVIL (Y COMPRIS LA NÉGLIGENCE), UNE RESPONSABILITÉ STRICTE, UNE RUPTURE DE GARANTIE OU TOUTE AUTRE THÉORIE JURIDIQUE. NONOBTANT CE QUI PRÉCÈDE, LES LIMITATIONS ET LES EXCLUSIONS ÉNONCÉES DANS LA PRÉSENTE GARANTIE NE S'APPLIQUENT PAS (I) À LA RESPONSABILITÉ D'INOVASIA POUR LES DOMMAGES-INTÉRÊTS ACCORDÉS OU LES MONTANTS VERSÉS POUR RÉGLER UN LITIGE OU UNE MENACE DE RÉCLAMATION RÉSULTANT D'UN DÉCÈS, D'UN PRÉJUDICE CORPOREL, D'UNE NÉGLIGENCE GRAVE OU D'UNE FAUTE INTENTIONNELLE DE SA PART. LE CLIENT RECONNAIT QU'INOVASIA A FIXE SES PRIX POUR LE PRODUIT ET FOURNI CETTE GARANTIE EN S'APPUYANT SUR LES LIMITATIONS DE RESPONSABILITÉ ET LES CLAUSES D'EXCLUSION DE GARANTIE ET DE DOMMAGES EXPOSÉES DANS LE PRÉSENT DOCUMENT, ET QUE CELLES-CI CONSTITUENT UNE BASE ESSENTIELLE DU MARCHÉ ENTRE LES PARTIES EN CE QUI CONCERNE CETTE GARANTIE.

RÉGLEMENTATION ENVIRONNEMENTALE

Veuillez respecter les réglementations locales et contribuer à la protection de l'environnement. Retournez les appareils électriques hors d'usage à un centre désigné par votre municipalité qui recycle correctement les appareils électriques et électroniques. Ne mettez pas l'appareil au rebut de manière illégale. Retirez toutes les piles avant de mettre l'appareil au rebut.

Inovasia se réserve le droit de modifier tout ou partie du contenu de ce document sans préavis.



Résolution de problèmes

Si vous rencontrez des problèmes avec votre robot, suivez la procédure de dépannage ci-dessous pour rétablir les performances.

REMARQUE : Éteignez l'alimentation électrique avant d'effectuer toute réparation.

Problèmes	Causes possibles	Solutions
Le bouton de l'interrupteur ne peut pas être tourné ou ne peut pas être tourné facilement.	Du sable ou d'autres débris sont coincés dans la fente du bouton.	a.Vérifier si du sable ou d'autres débris sont coincés dans l'interstice du bouton. b.Éliminer le sable ou d'autres débris
Le robot ne s'allume pas et ne fonctionne donc pas.	La batterie est endommagée	Aller sur le site www.inopool-us.com , à la section Support et suivez les instructions pour obtenir de l'aide supplémentaire.
	La carte de circuit (PCB) imprimé est endommagée	Aller sur le site www.inopool-us.com , à la section Support et suivez les instructions pour obtenir de l'aide supplémentaire.
	La boîte scellée fuit	Aller sur le site www.inopool-us.com , à la section Support et suivez les instructions pour obtenir de l'aide supplémentaire.
Le voyant lumineux clignote en rouge et le robot ne fonctionne pas.	Le robot n'est pas mis à l'eau à temps et la protection de la pompe est activée.	Redémarrer le robot et l'immerger dans l'eau dans les 5 à 10 secondes.
	L'hélice est endommagée	Remplacer l'hélice en évitant les parties coupantes
	L'hélice peut être obstruée par des débris	Vérifier l'hélice et retirer les débris
	Le moteur est endommagé	Aller sur le site www.inopool-us.com , à la section Support et suivez les instructions pour obtenir de l'aide supplémentaire.
	Protection contre la surchauffe du moteur	Attendez 10 minutes et redémarrez le robot. Aller sur le site www.inopool-us.com si le problème continue
	La batterie peut avoir besoin d'être rechargée	Recharger la batterie

Problèmes	Causes possibles	Solutions
Le robot ne monte pas les parois	défaillance du capteur	Aller sur le site www.inopool-us.com , à la section Support et suivez les instructions pour obtenir de l'aide supplémentaire.
	panier filtrant plein ou obstrué	Vérifier le panier filtrant, videz-le et si obstrué, nettoyez-le en profondeur
	Panier filtrant plein	Vérifier le panier filtrant, videz-le et nettoyez-le en profondeur
	Paramètres mal renseignés	Ouvrir la APP sur votre téléphone, vérifier les paramètres et changer le mode à nettoyage parois ou fond/parois
Le robot touche le mur mais ne fait pas marche arrière	défaillance du capteur	Aller sur le site www.inopool-us.com , à la section Support et suivez les instructions pour obtenir de l'aide supplémentaire.
le témoin lumineux du chargeur est éteint pendant que le nettoyeur se recharge	Le chargeur peut être endommagé	Remplacer le chargeur
La batterie ne se charge pas	Le chargeur peut être endommagé	Remplacer le chargeur
	Les broches de chargement sont rouillées	Nettoyez soigneusement les broches de chargement avec du bicarbonate de soude ou aller sur le site www.inopool-us.com pour obtenir de l'aide.
	La batterie peut être endommagée	Aller sur le site www.inopool-us.com , à la section Support et suivez les instructions pour obtenir de l'aide supplémentaire.
Le robot ne nettoie pas toute la piscine	défaillance du capteur	Aller sur le site www.inopool-us.com , à la section Support et suivez les instructions pour obtenir de l'aide supplémentaire.
	La forme de la piscine est inhabituelle ou personnalisée	Ouvrir la APP sur votre téléphone, et ajuster le mode à nettoyage
	le moteur peut être endommagé	Aller sur le site www.inopool-us.com , à la section Support et suivez les instructions pour obtenir de l'aide supplémentaire.